

SIGN ELEVATION: 1/2" = 1'-0'

Notes

Manufacture & install one (1) double face, non-illuminated, cabinet holding one (1) double face, LED internally illuminated, circular cabinet with routed out circle; whole sign to be mounted on raised concrete base

- Lower left portion of the cabinet to be painted PMS cool gray 10 upper right portion & reveal to be painted dark PMS cool gray 6; circular cabinet to the one side to be painted PMS cool gray 3

A. the outer portion of the circle to be painted PMS cool gray 3; circle in the middle with the "P," to be routed out & backed up by white 7328 plexiglass so the circle would be white; "P," in the middle to be first surface, blue lagoon 3630-86

B. 3/8" PVC panel to be painted teal PMS 2241; copy inside the circle to be first surface, reflective white vinyl

C. Copy & arrows to be non-illuminated, 3/4" thick, dimensional letters/arrows flush mounted to the face of the cabinet; with first surface, reflective white vinyl

NOTE: due to printer limitations, colors shown may not exactly match specified. Refer to material charts for true colors.

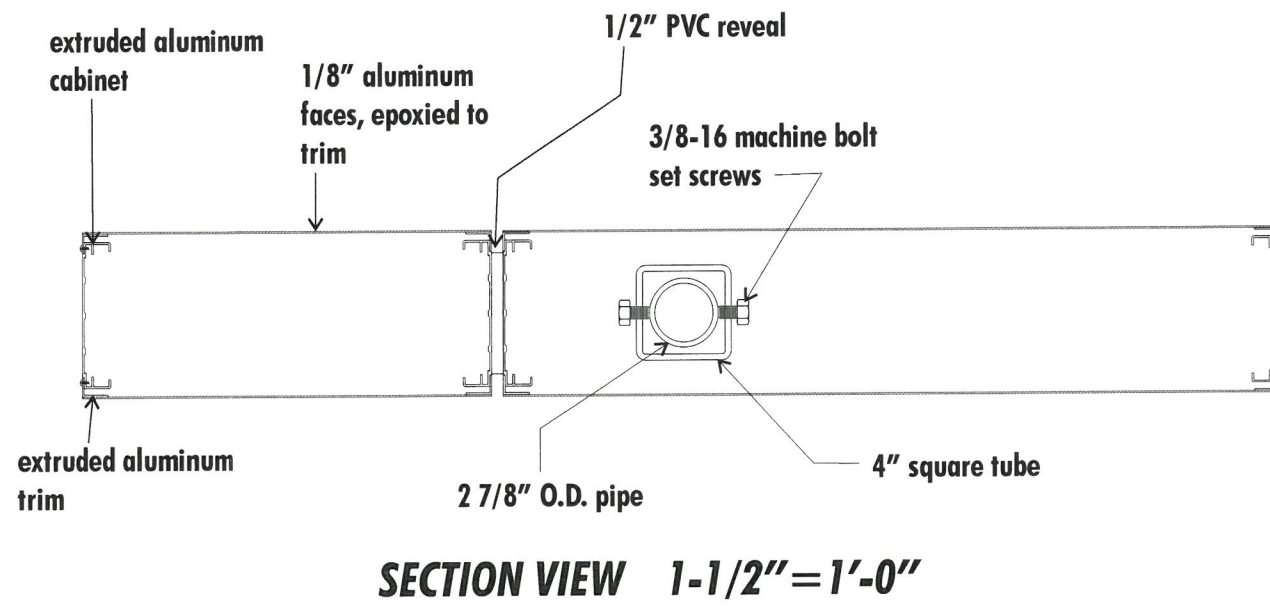
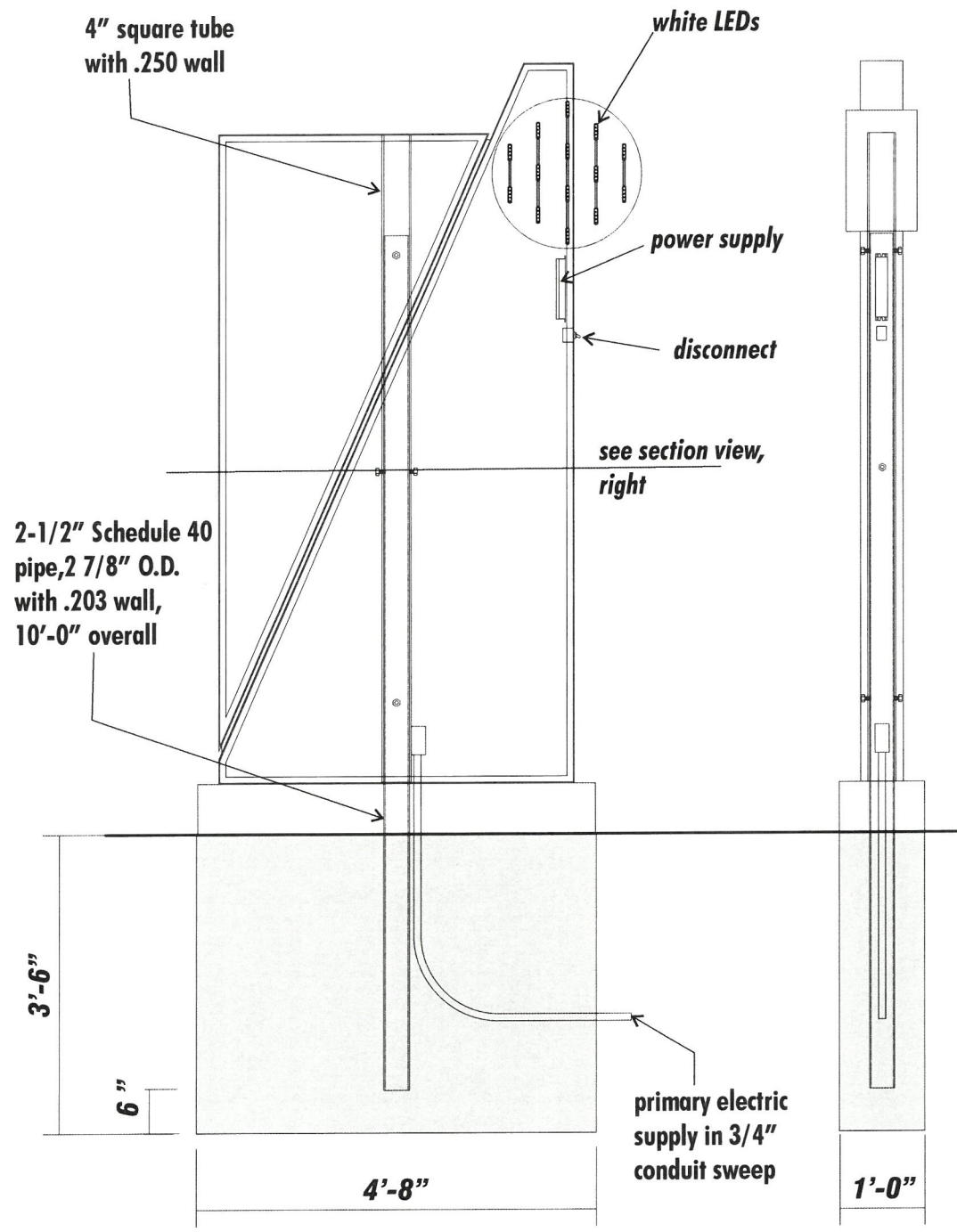


Brilliant Electric Sign Co., Ltd.

4811 VAN EPPS RD., CLEVELAND, OHIO 44131 (216)741-3800

NOTE: THIS IS AN ORIGINAL UNPUBLISHED DRAWING, CREATED BY BRILLIANT SIGNS. IT IS SUBMITTED FOR YOUR PERSONAL USE. IN CONJUNCTION WITH A PROJECT BEING PLANNED FOR YOU. IT IS NOT TO BE USED, REPRODUCED, COPIED OR EXHIBITED IN ANY FASHION.

COMPANY NAME	CIRCLE SQUARE	SALESMAN	MH	DATE	4/10/23	REVISION	9/14/23cp 10/17/23cp 10/18/23cp 10/20/23cp	DESIGN NO.	B23-540
LOCATION	10600 CHESTER AVE., CLEVELAND, OH	DESIGNER	CP	SCALE	SHOWN	FILE NAME	charlotte/ circle square (gs)	COPYRIGHT ©	2023



NOTE: due to printer limitations, colors shown may not exactly match specified. Refer to material charts for true colors.



Brilliant Electric Sign Co., Ltd.

4811 VAN EPPS RD., CLEVELAND, OHIO 44131 (216)741-3800

NOTE: THIS IS AN ORIGINAL UNPUBLISHED DRAWING, CREATED BY BRILLIANT SIGNS. IT IS SUBMITTED FOR YOUR PERSONAL USE, IN CONJUNCTION WITH A PROJECT BEING PLANNED, FOR YOU. IT IS NOT TO BE USED, REPRODUCED, COPIED OR EXHIBITED IN ANY FASHION.

COMPANY NAME	CIRCLE SQUARE	SALESMAN	MH	DATE	4/10/23	REVISION	9/14/23cp 10/17/23cp 10/18/23cp 10/20/23cp	DESIGN NO.	B23-540 cons
LOCATION	10600 CHESTER AVE., CLEVELAND, OH	DESIGNER	CP	SCALE	1/2" = 1'-0"			COPYRIGHT ©	2023
				FILE NAME	charlotte/ circle square (gs)				